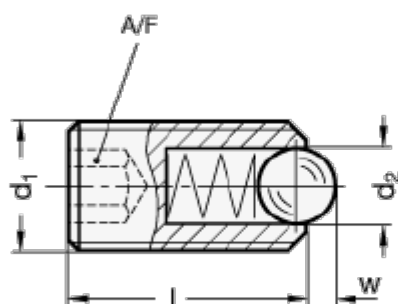


Article number: 206153M20KSNPFB

Description: E+G stainless steel spring plungers 615.3-M20-KSN-PFB

Measures



Thread locking **PFB**
Polyamide patch
for type **KN**



Thread locking **PFB**
Polyamide patch
for type **KSN**



Thread locking **MVK**
Micro encapsulation precote
(for all types)

| | |
|------------------------------|-------|
| A/F | = 10 |
| d1 | = M20 |
| d2 | = 12 |
| l | = 43 |
| Max. spring load in N | = 166 |
| Preload spring pressure in N | = 84 |
| w | = 4.5 |